

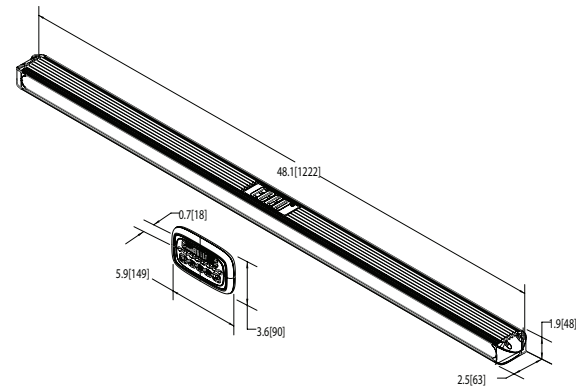


# DIRECTIONAL LEDS



## 3400 SERIES SAE Class I LED Safety Director™

The 3410 LED Safety Director™ is a compact high-intensity warning system designed to direct traffic approaching from the rear of a stationary vehicle. The compact light-stick design allows for unobtrusive interior or exterior mounting, either flush to the vehicle or using the provided mounting brackets. Inside the cab a modern, soft touch controller provides fingertip control of the 3410's nine built-in flash patterns, features an LED display that mimics the selected pattern in real time and also includes an auxiliary switch. 20A auxiliary relay included.



### Models

| PART NO. | COLOR | VOLTAGE | MAX AMPS | CABLE LENGTH |
|----------|-------|---------|----------|--------------|
| 3410A    | Amber | 12      | 1.6      | 15'          |
| 3435A    | Amber | 12      | 1.6      | 35'          |
| 3455A    | Amber | 12      | 1.6      | 55'          |

### Features and Benefits

- Extruded aluminum housing with polycarbonate lens
- Eight reflective modules with six LEDs
- Temperature Range: -22°F to +122°F (-30°C to +50°C)

### System Components

|               |             |
|---------------|-------------|
| • Controller: | 3410CB      |
| • Signal bar: | 3410LBA     |
| • Cable:      | 15' 3410-15 |
|               | 35' 3410-35 |
|               | 55' 3410-55 |

To view the 3410 Safety Director™ product video, visit [YouTube.com/ECCOSafety](https://www.youtube.com/ECCOSafety)

### Flash Patterns

