

CROWNY

THE NEW WHEEL CHOCK FAMILY

CROWNY HEAVY 53



FOR TRUCK

CROWNY 53



FOR INDUSTRIAL TRAILER

CROWNY 46



FOR AGRICULTURAL TRAILER

CROWNY 36



FOR COMMERCIAL VEHICLE

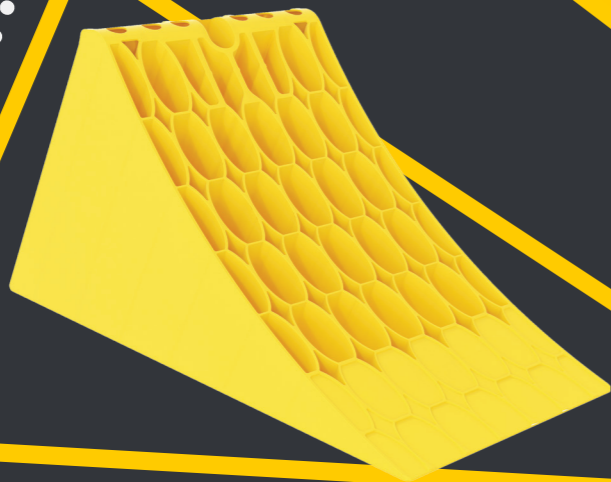
HOMOLOGATED

PATENT
— PENDING —



FOR ANY APPLICATION LOKHEN

FOR TRUCK



CROWNY HEAVY 53

PATENT PENDING

HOMOLOGATION



DIN76051-53

EN Yellow homologated thermoplastic chock Heavy 53

IT Calzatoia gialla termoplastica omologata Heavy 53

DE Thermoplastischer Hemmschuh zugelassen gelb Heavy 53

FR Cale de roue jaune homologuée Heavy 53

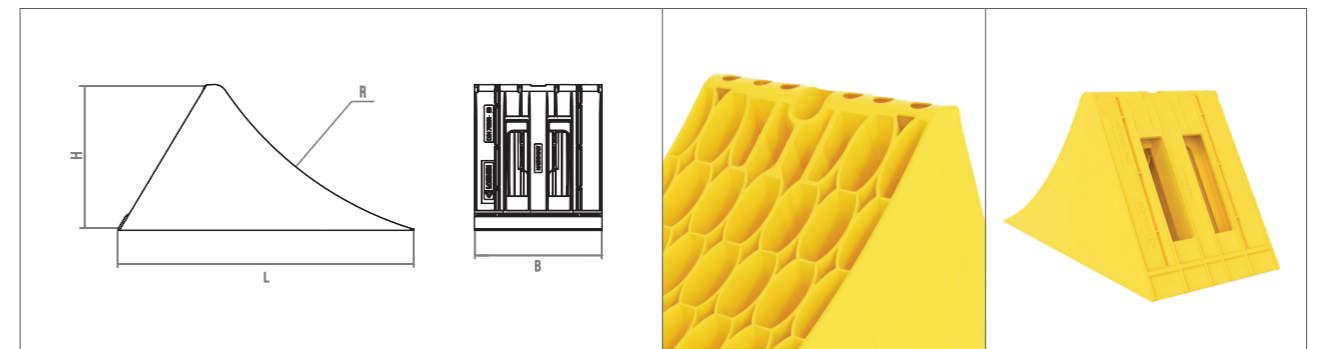
ES Calzo de rueda amarillo homologado Heavy 53



COLOR CUSTOMIZATION



LOGO CUSTOMIZATION

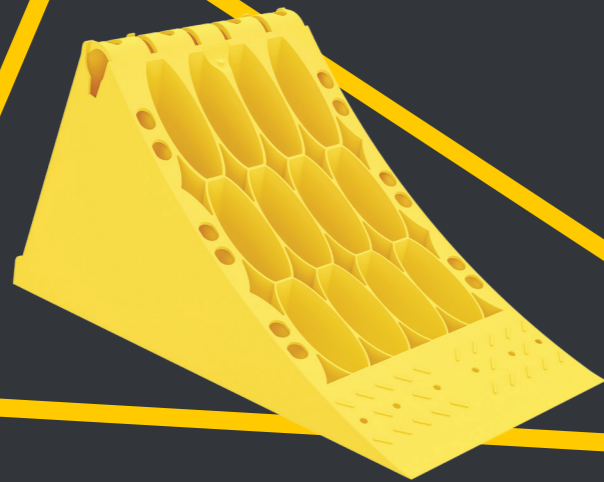


PATENT PENDING

CROWNY HEAVY 53

cod.		L mm	B mm	H mm	R mm			
600120100		467	201	230	555	1,81	8	192
600120200		467	201	230	555	1,66	8	192

FOR INDUSTRIAL TRAILER



CROWNY 53

PATENT PENDING



HOMOLOGATION



DIN76051-53

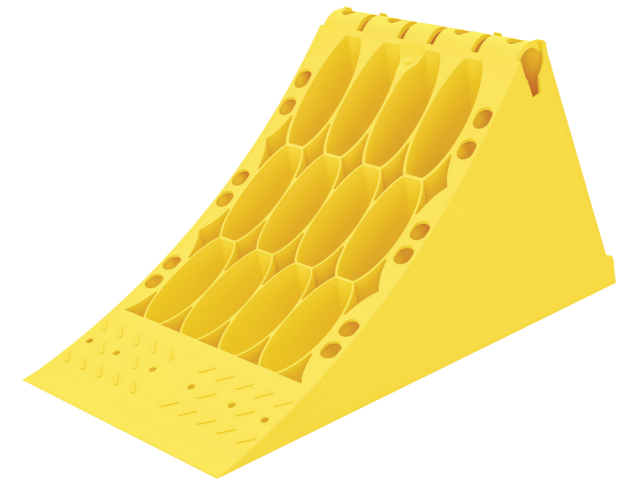
EN Yellow homologated thermoplastic chock 53

IT Calzatoia gialla termoplastica omologata 53

DE Thermoplastischer Hemmschuh zugelassen gelb 53

FR Cale de roue jaune homologuée 53

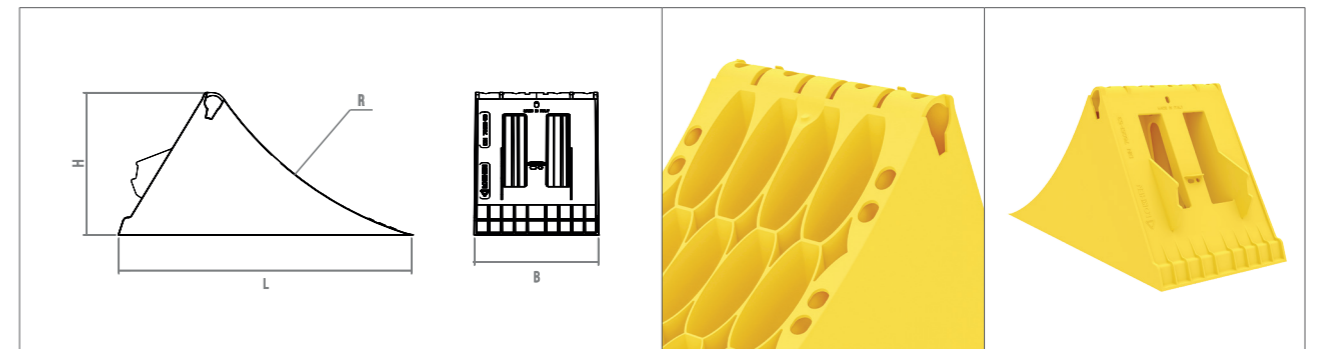
ES Calzo de rueda amarillo homologado 53



COLOR CUSTOMIZATION



LOGO CUSTOMIZATION



PATENT PENDING

CROWNY 53

cod.		L mm	B mm	H mm	R mm			
600110100		467	198	225	555	1,35	8	192
600110200		467	198	225	555	1,19	8	192

FOR AGRICULTURAL TRAILER



CROWNY 46

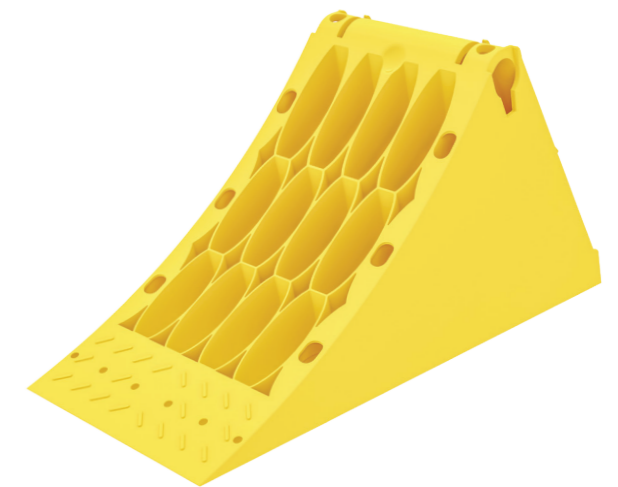
PATENT PENDING

HOMOLOGATION



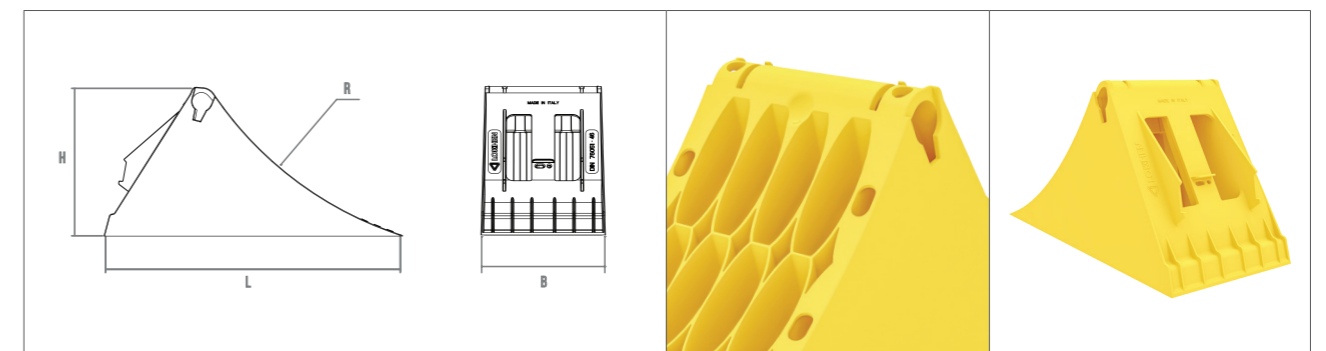
DIN76051-46

- EN Yellow homologated thermoplastic chock 46
- IT Calzatoia gialla termoplastica omologata 46
- DE Thermoplastischer Hemmschuh zugelassen gelb 46
- FR Cale de roue jaune homologuée 46
- ES Calzo de rueda amarillo homologado 46



COLOR CUSTOMIZATION

LOGO CUSTOMIZATION



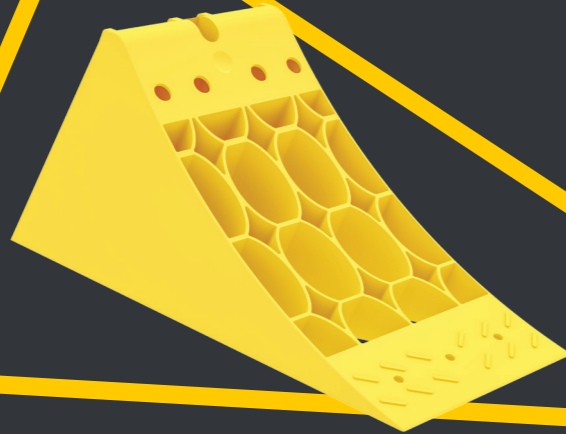
cod.		L mm	B mm	H mm	R mm			
600100100		383	160	190	460	0,88	10	280
600100200		383	160	190	460	0,75	10	280



CROWNY 46



FOR COMMERCIAL VEHICLE



CROWNY 36

PATENT PENDING



HOMOLOGATION



DIN76051-36

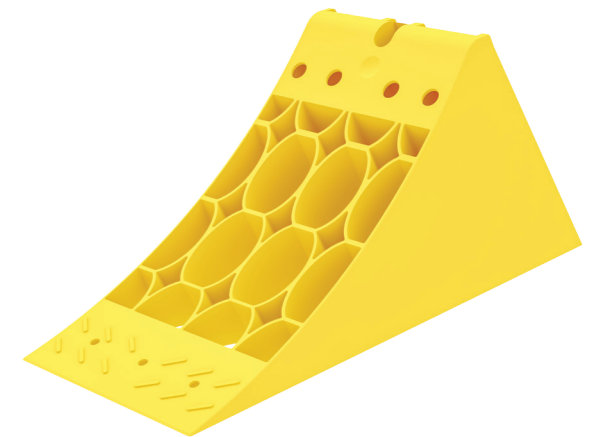
EN Yellow homologated thermoplastic chock 36

IT Calzatoia gialla termoplastica omologata 36

DE Thermoplastischer Hemmschuh zugelassen gelb 36

FR Cale de roue jaune homologuée 36

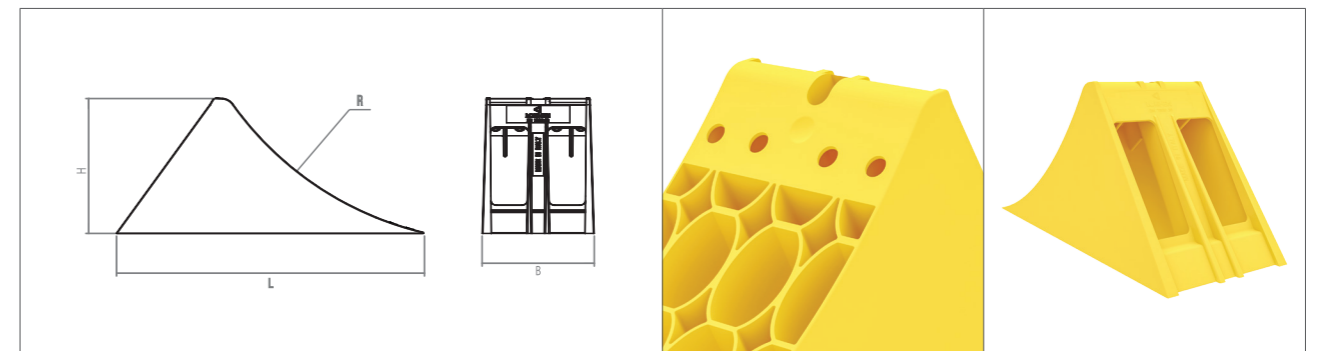
ES Calzo de rueda amarillo homologado 36



COLOR CUSTOMIZATION



LOGO CUSTOMIZATION



PATENT PENDING

CROWNY 36

cod.		L mm	B mm	H mm	R mm			
600090100		336	123	148	355	0,49	20	520
600090200		336	123	148	355	0,40	20	520

**STAY TUNED
FOR THE NEXT NEWS**

#BORNTOINNOVATE



lokhen.com

