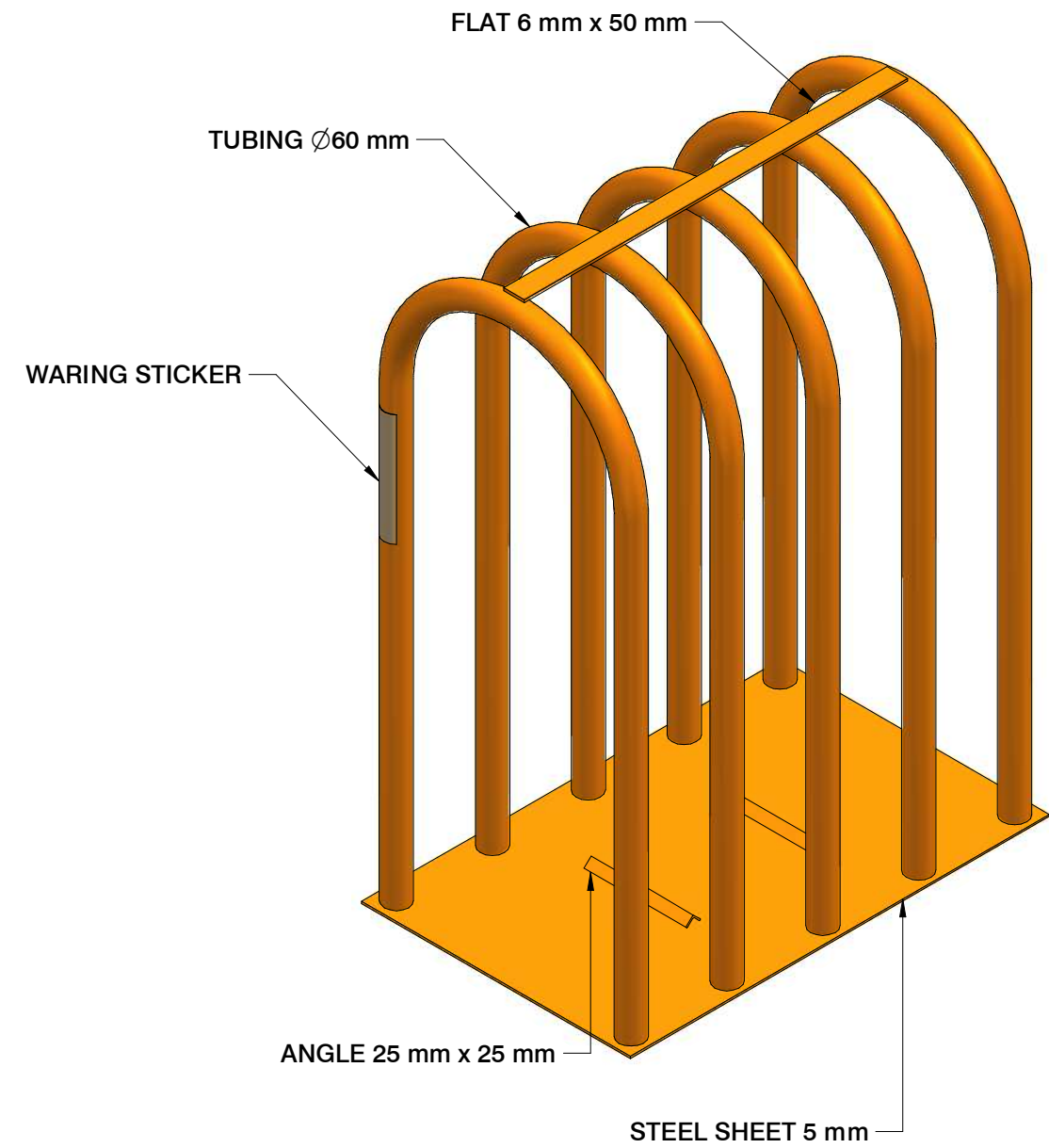
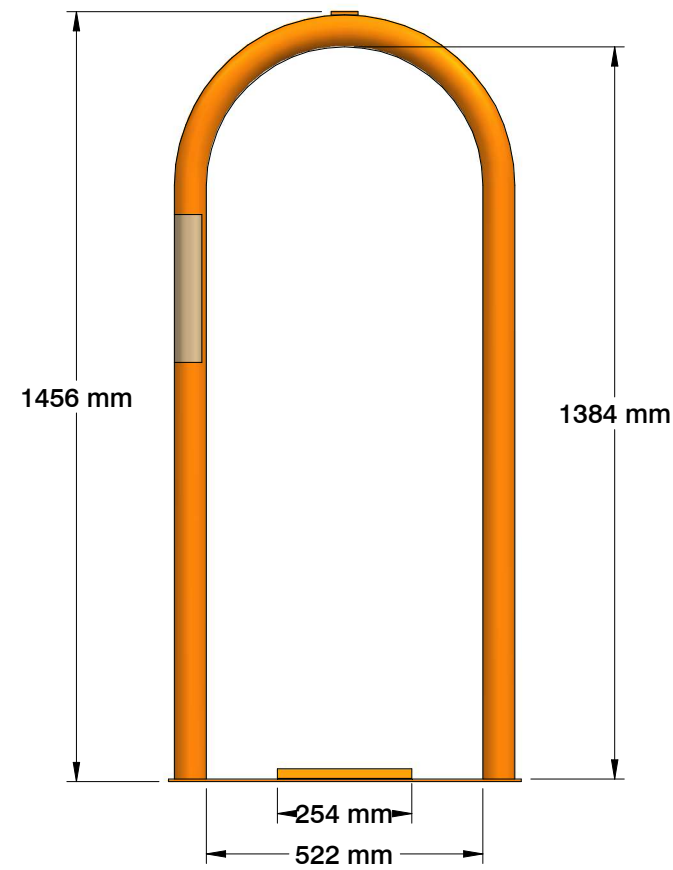
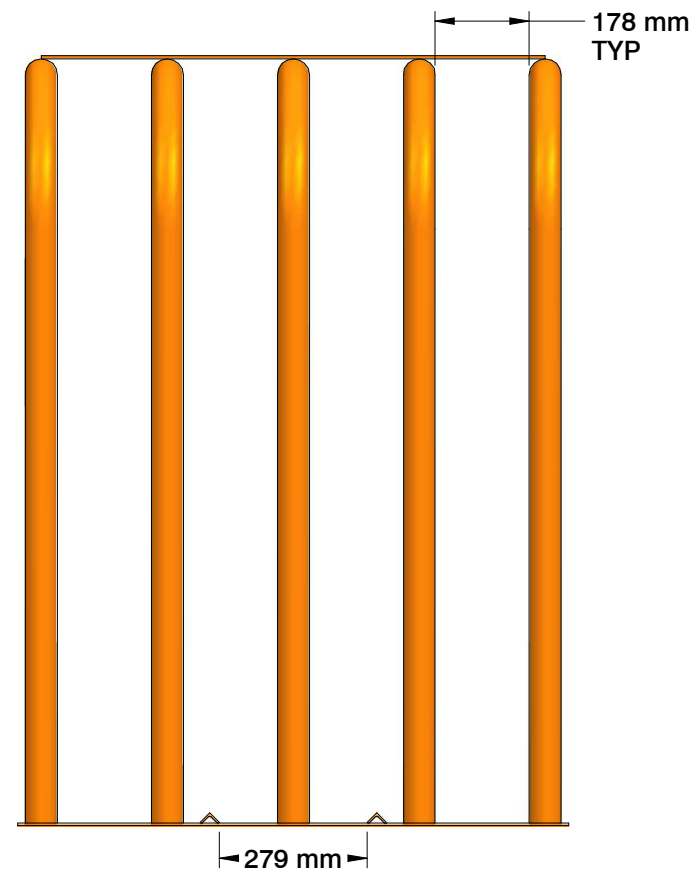
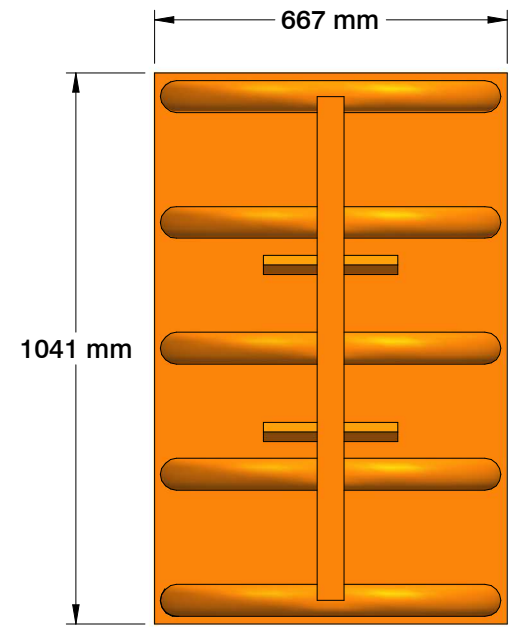


**FINISH**

THIS DRAWING AND THE INFORMATION CONTAINED IN THIS DOCUMENT IS THE PROPERTY OF INDUSTRIES MARTINS INC. AND SHALL NOT BE REPRODUCED, COPIED, MODIFIED, OR USED WITHOUT THE WRITTEN PERMISSION OF INDUSTRIES MARTINS INC.



CUSTOMER APPROVAL

DATE