

XCEL™ SIREN PROGRAMMABLE SIREN



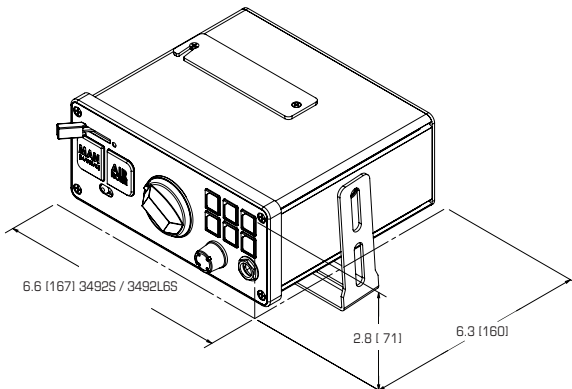
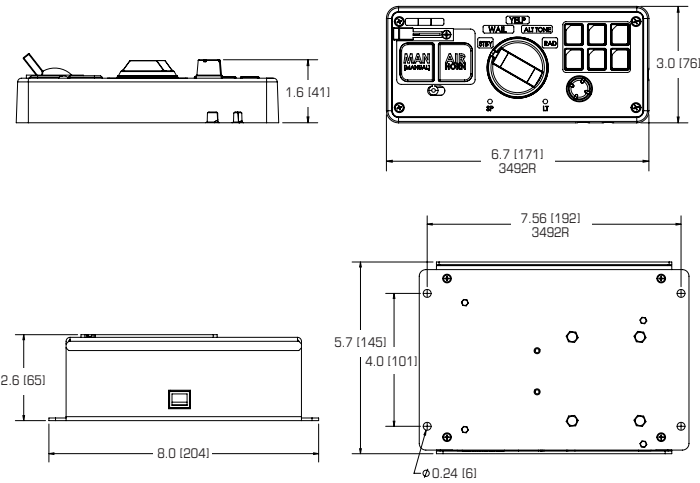
3492R

The XCEL™ Siren has a 3-level slide switch that can be programmed as independent, semi-progressive, or progressive. The unique programming features auxiliary buttons to level outputs and allow the officer to keep their eyes on the road. Features include adjustable backlighting buttons, visual notification of switching and programming functions, 11 built-in automotive style fuses, and is Banshee® siren amp compatible for additional features.

VOLTS AMPS	12V 15A per level
WATTS	100W (3492S, 3492L6S), 200W (3492R, 3492S, 3492L6S)
DIMS	3.0" H X 6.7" L X 1.6" D 76mm H x 170mm L x 41mm D (3492R control head) 2.6" H X 8.0" L X 5.7" D 66mm H x 203mm L x 145mm D (3492R amplifier) 2.8" H x 6.6" L x 6.3" D 71mm H x 167mm L x 160mm D (3492S, 3492L6S)
CERTS	J1849, CA T13, NFPA, R10, KKK-A 1822F

DETAILS	<ul style="list-style-type: none"> Console mount rotary siren with programmable three-level slide switch and 6 programmable auxiliary switches with insertable legends and with 12 dip switches for configuring Five rotary switch positions: Standby, Wail, Yelp, Alt Tone, and Radio Unique programming features including latching of auxiliary buttons to level outputs allow the officer to keep their eyes on the road for longer periods of time
---------	--

MODEL	DESCRIPTION
3492R	Siren, Remote Control Head, Plug-In Mic
3492S	Siren, Perm Mic
3492L6S	Siren, Lighting Control, Perm Mic



CR0075
Replacement Control Head