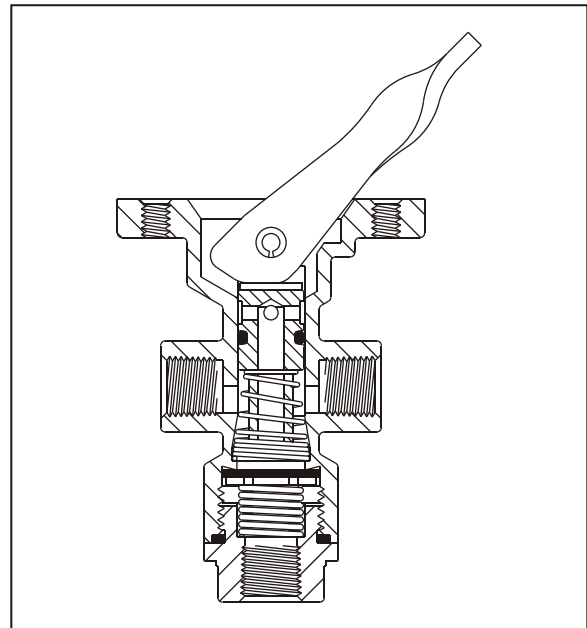
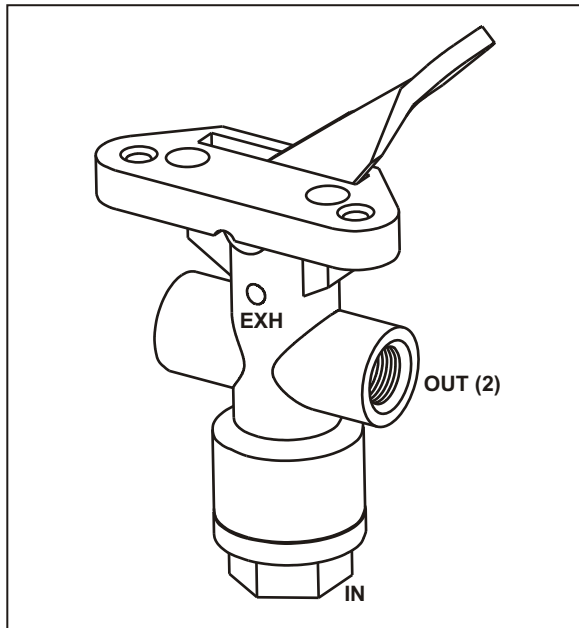


HAND CONTROL VALVES

Lever Control Valves



INFORMATION:

- Used for a variety of applications
- Manual operation
- **REPAIR KIT 110242**

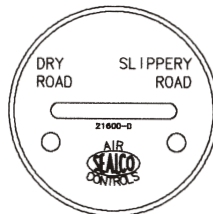


PLATE 812

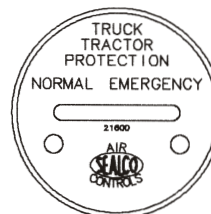


PLATE 821



PLATE 8022

PART NUMBER	NAME PLATE	PORT SIZES (NPT)	
		Inlet	Outlet (2)
21600	821	1/8"	1/8"
21600D	812	1/8"	1/8"
21600-2	None	1/8"	1/8"
110167	None	1/8"	1/8"
110300	8097	1/8"	1/8"
110301	8098	1/8"	1/8"
110413	8116	1/8"	1/8"
216050	8023	1/8"	1/8"
216100	8007	1/8"	1/8"
216200	8022	1/8"	1/8"

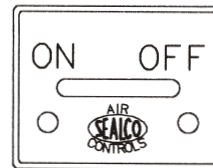


PLATE 8023

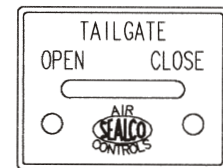


PLATE 8097

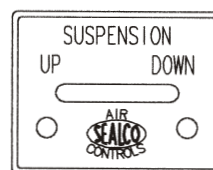


PLATE 8098

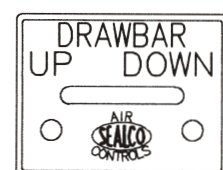


PLATE 8116