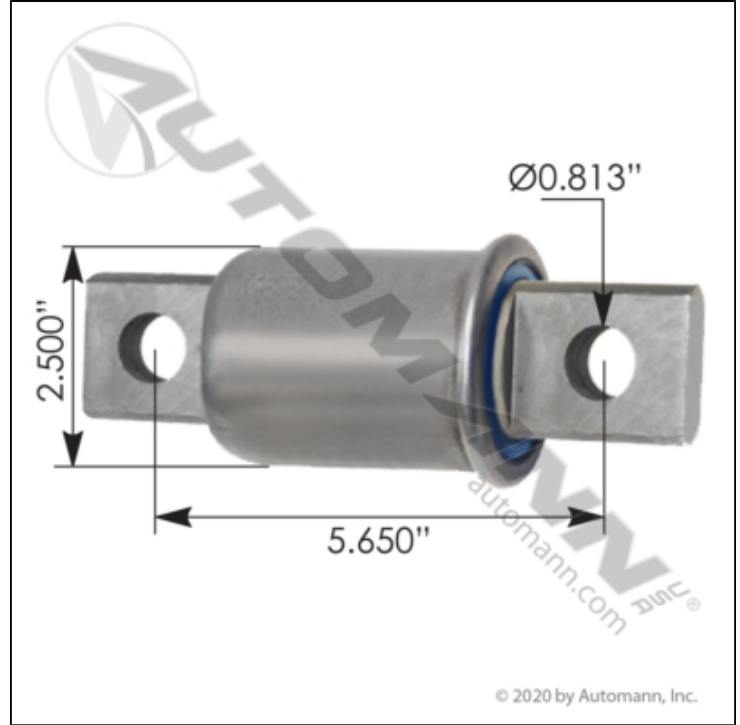


## Item Detail for MR782E




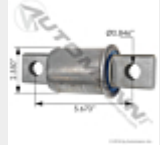
### Silent Block Poly Premium Freightlr/IHC

<b>Automann #</b>	MR782E
<b>UPC Code</b>	889626175022
<b>Brand</b>	Automann
<b>Product Level</b>	Fleet Premium Heavy Duty
<b>Description</b>	<ul style="list-style-type: none"> <li>• Poly, Fully Rotational</li> <li>• IROS Corporate Air Ride</li> <li>• For Oversized Use <a href="#">MR783E</a></li> </ul>
<b>Ref. #</b>	Poly Version of MR782
<b>Shipping</b>	<a href="#">Parcel friendly</a>
<b>Unit Size</b>	1
<b>Weight</b>	4.68 lbs
<b>Pkg. Dimensions (in)</b>	8.25 X 3.5 X 3.562



#### Alternative Items

#### Related Items

SKU	Image	Product Name
MR656		Silent Block Freightliner
MR714		Silent Block Freightliner
MR783		Oversized Version of MR782
MR783E		Silent Block OS Poly Premium Freightlr


SKU	Image	Product Name
MR781		Silent Block
MR779UB		Silent Block Poly Freightliner
MR656UB		Silent Block Poly
MR782		Silent Block Freightliner/IHC
MR714E		Discontinued Use MR782E
MR779		Silent Block
MR714UB		Silent Block Freightliner
579.OT4245		Suspension Bushing Kit FAS II OTC

## Specifications

Attribute	Value
Bushing (Type 1)	Premium Poly Bushing
Bushing (Type 2)	Straddlemount
Sleeve Type	High Confinment
SRI	RB268
Bushing OD (B)	2.500"
Overall Length (C)	7.500"
Bushing Sleeve Length (D)	3.250"
Bolt ID	13/16"

Attribute	Value
Center to Center	5.672"
OEM Ref.	16005092
Notes	Type 5

#### Alternative Items

Automann #	Image	Product Name	Brand	Product Level
MR782		Silent Block Freightliner/IHC	Automann	Fleet Standard

#### Where Used

This item is featured in the following schematics:

Name	Type
<a href="#">International Navistar Rear New Corporate Air IROS '02-'10</a>	Suspension
<a href="#">Peterbilt Rear New Low Air Leaf® (Kenworth AG210L, AG400L) (UPDATED)</a>	Suspension

#### Applications

Make	Series	Additional Information
Freightliner	Cascadia (No Year)	
International	ProStar (No Year)	
Kenworth	T660 (No Year)	
Peterbilt	379 (No Year)	

#### Cross Reference

There is no cross reference data for this product.