

Trans-DOT Solenoid Valves



2/2 SINGLE SOLENOID SPRING RETURN, DIRECT ACTING

Page	Part No.	Port Size (NPT)
76	TD-2142	1/8"

3/2 SINGLE SOLENOID SPRING RETURN

Page	Part No.	Port Size (NPT)
77	TD-2242	1/8"
78	TD-4242	1/4"
79	TD-6242	3/8"

3/2 SINGLE SOLENOID SPRING RETURN WITH DIRECT PUSH TURN & LOCK OVERRIDE

Page	Part No.	Port Size (NPT)
80	TD-4262	1/4"
81	TD-6262	3/8"

5/2 SINGLE SOLENOID SPRING RETURN

Page	Part No.	Port Size (NPT)
82	TD-4342	1/4"
83	TD-6342	3/8"

5/2 DOUBLE SOLENOID

Page	Part No.	Port Size (NPT)
84	TD-4352	1/4"
85	TD-6352	3/8"

5/2 SINGLE SOLENOID SPRING RETURN WITH DIRECT PUSH TURN & LOCK OVERRIDE

Page	Part No.	Port Size (NPT)
86	TD-4362	1/4"
87	TD-6362	3/8"

TD-6242 Series Valves

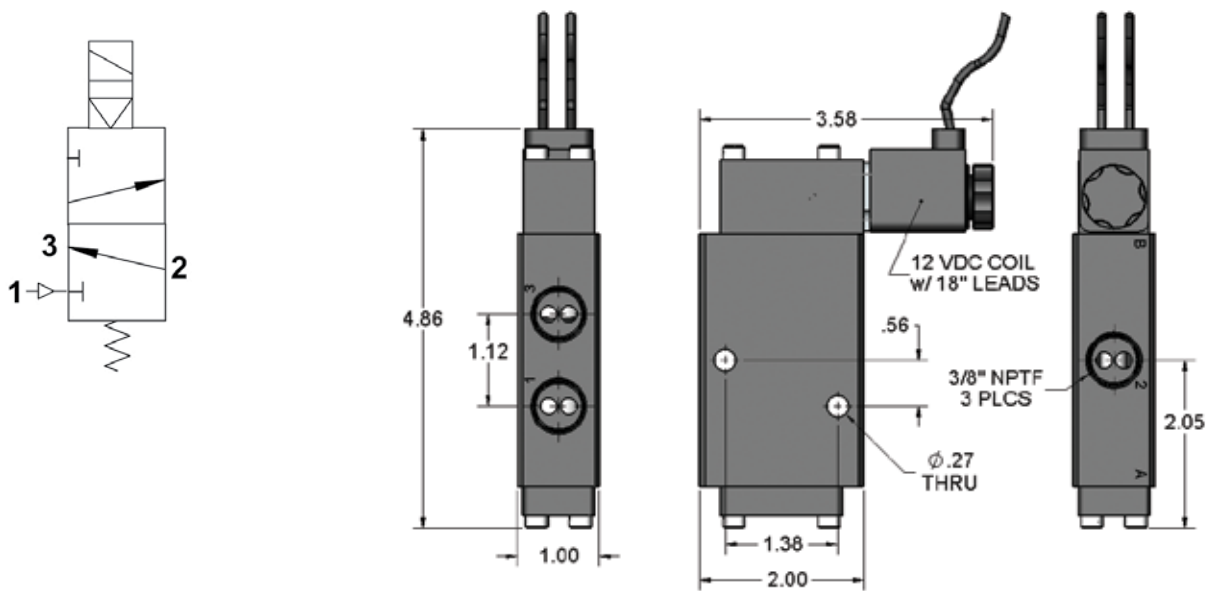
3-Way Single Solenoid, 12 Vdc, 3/8" NPT Ports

Trans-DOT TD-6242 Series valves are 3-way, normally closed, 3/8" NPT port, 12 Vdc valves. Air is normally supplied to port #1. When energized, air flows from port #1 out port #2.

SPECIFICATIONS

Material	Black anodized aluminum	Temperature	-40°F to +180°F
Function	3-way, normally closed single solenoid, spring return	Options*	A = Air pilot return E = External pilot NO = Normally open RS = Solenoid rotated 90° S = Mesh screens in ports V = Vented thru exhaust
Mounting	Inline, or Thru hole mount		
Medium	Air		
Voltage	12 Vdc w/ 18" leads, NEMA 4		
Pressure	40 psi min., 150 psi max. supply		
Flow	Cv = 2.0 (96 scfm)		
Fasteners	Stainless steel		

*Add suffix to end of part number. See page 74 for option description.



SOLENOID