



BEACONS



5280 RotoLED™ SAE Class I LED Hybrid, 13"

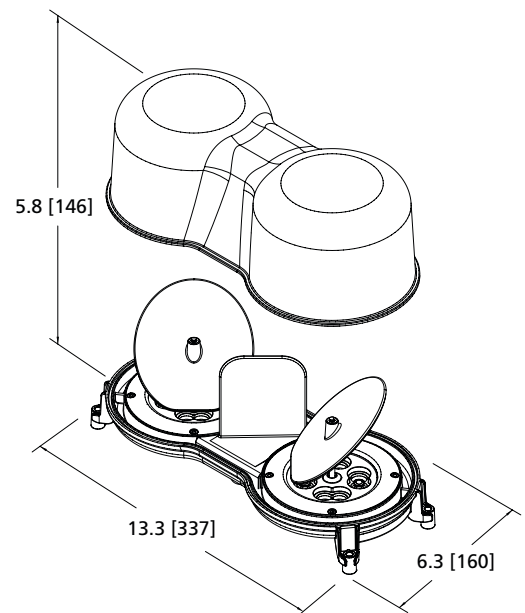
The 5280 Series RotoLED™ Minibar combines all the benefits of the latest LEDs with the unmistakable warning signal of a rotator, all without compromising reliability. LED hybrid technology uses a brushless magnetic-drive system to spin the reflector disk, reducing noise and eliminating the typical motor/gear drawbacks associated with conventional rotators. Each hybrid module also features 8 high-intensity LEDs and TIR optic, providing SAE Class I light output. Additional benefits include low amp draw, extended service-free life, and a 5-year warranty.

Models

PART NO.	VOLTAGE	AMPS	ILLUMINATION	FPM	MOUNT
5280A	12-24	4.0	Amber	360	Permanent
5280A-MG	12-24	4.0	Amber	360	Vacuum-Magnet

Features and Benefits

- No gears, brushes, or bulbs to wear out
- LED optics produce intense rotating beam
- UV hard coated lens reduces abrasion, cracking and fading
- Temperature Range: -22°F to +122°F (-30°C to +50°C)



45° angled reflector driven by a quiet brushless magnetic drive system provides an exceptional warning beam without compromising reliability

8 high-intensity, 3-watt LEDs combined with a unique TIR optic project light onto the reflector to provide SAE Class I light output



T 800-635-5900 | orders@eccogroup.com