



WORKLIGHTS



EW2030 SERIES

Arc Boundary Line

ECCO's EW2030 Series Arc Boundary Line delivers 180° solid red beam around the perimeter of material handling vehicles and warehouse equipment or any other application where enhanced safety is needed. Improved brightness and enlarged warning area provides workers and pedestrians an additional layer of protection to ensure safe navigation while keeping operators on task. The compact and durable design paired with its 12-80VDC capability make this a unique and versatile warning solution.

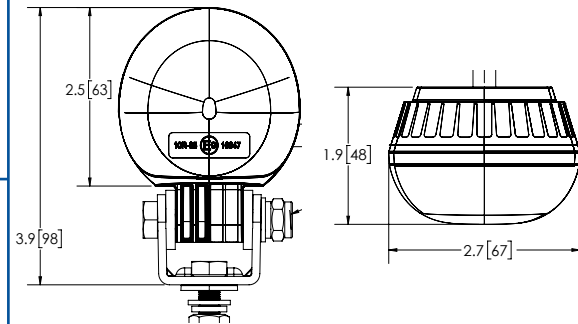
Models

| PART NO. | VDC | LENS COLOR | LED COLOR | LUMENS | AMPS | WATTS |
|----------|-------|------------|--------------------------------------|--------|------|-------|
| EW2030R | 12-80 | Clear | ■ R | 100 | 1.04 | 13.3 |
| EW2031R | 12-80 | Clear | ■ R | 156 | 1.21 | 5.9 |

Design Features

- Bright, solid red arc beam up to 180° coverage
- Convex polycarbonate lens
- Highly efficient one 6-watt LED
- 12" cable length
- Stainless steel mounting bracket
- Works well with EW2110 Series, EW2010 Series, EW2011B Arrow, EW2015R Boundary, EW2025R Boundary, or EW2002 Spot to form a perimeter of safety
- Compact and robust design
- Temperature Range: -40°F to +158°F (-40°C to +70°C)

EW2030R



EW2031R

